

MOTOR SPECIFICATIONS

02 M3B040 400W Low Inertia

Specifications

Motor Model : M3B040C □□□□* *

400W

60

H3

60/30

IP65

Basic Specifications

Item	Unit	Specifications
Rotor inertia	-	Low
Fitting flange size	mm	60 sq.
Approximate mass	Without brake	kg
	With brake	1.3
Compatible amplifier model	-	SD3040C2**
Voltage	V	AC200 V to 240 V
Rated output	W	400
Rated torque	N·m	1.27
Instantaneous maximum torque	N·m	3.82
Rated current	A	2.7
Instantaneous maximum current	A	8.5
Rated speed	r/min	3,000
Maximum speed	r/min	6,000
Torque constant	N·m/A	0.49
Voltage constant-KE	mV/(r/min)	17.1
Rated power	Without brake	kW/s
	With brake	
Mechanical time constant	Without brake	ms
	With brake	
Electrical time constant	ms	2.92
Rotor moment of inertia	Without brake	$\times 10^{-4} \text{kg} \cdot \text{m}^2$
	With brake	

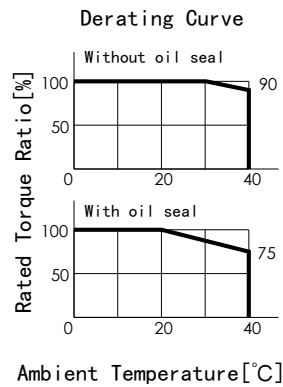
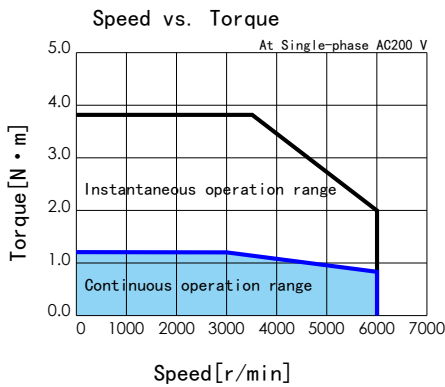
Brake Specifications

Item	Unit	Specifications
Usage	-	Holding
Rated voltage	V	DC 24 V \pm 10 %
Rated current	A	0.3
Static friction torque	N·m	≥ 1.27
Pull-in time	ms	≤ 50
Release time	ms	≤ 15
Release voltage	V	$\geq \text{DC } 1 \text{ V}$

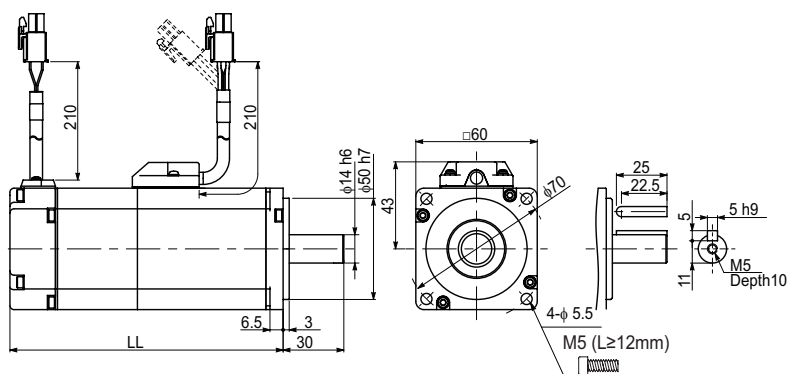
Allowable load

Item	Unit	Specifications
Radial	N	245
Thrust	N	98

Torque Characteristics



External Dimensions



	(mm)	
Brake	Without	With
Motor Model	M3B040C*N	M3B040C*B
LL	93.5	130.0

The straight shaft products are not tapped end.